

V+(VREF)
Page 16

To J1 (Page 15)

TO COUNTER

one shared coil

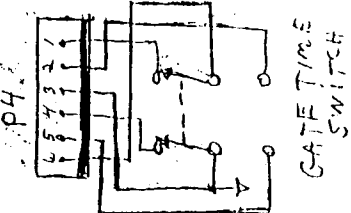
To J1 (Page 15)

V+(VREF)
Page 16

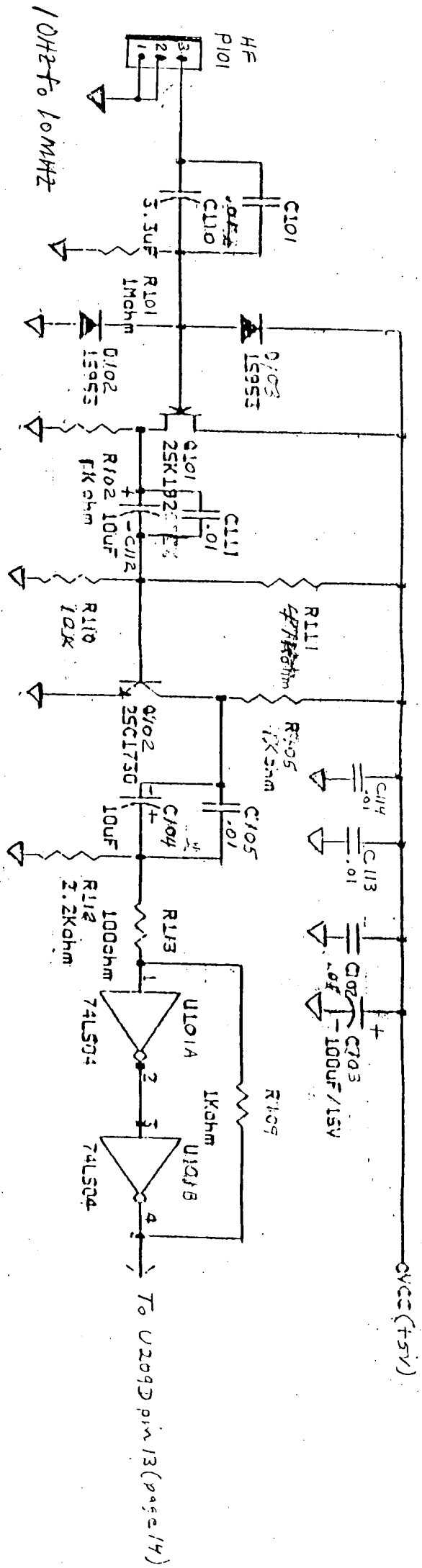
To J4 Page 14

AF INPUT (EXT MOD)

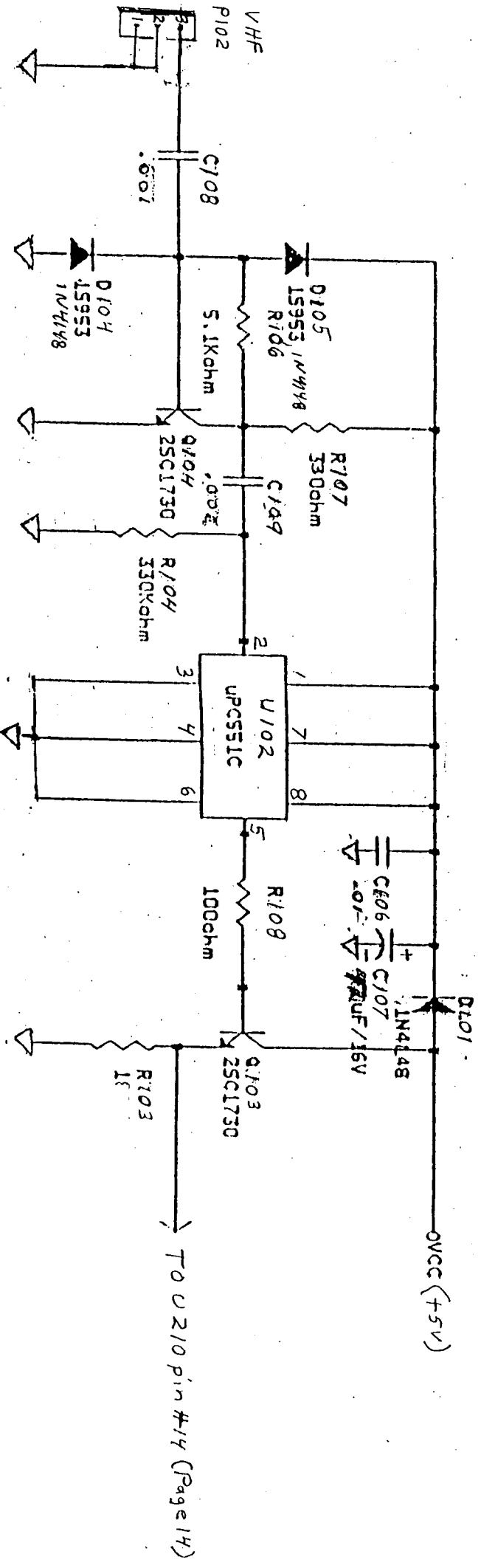
Phase Shift
Audio Osc.



6C-9500 Schematic Diagram RF Generator



10MHz to 150MHz



10MHz to 150MHz

SG-9500 Schematic Diagram Frequency Counter

T0210 pin #14 (Page 14)

To Get a Time Switch for Decimal Point Placement
See page 12 & 14.

To page 14 P201 pin #5
To page 14 P201 pin #4

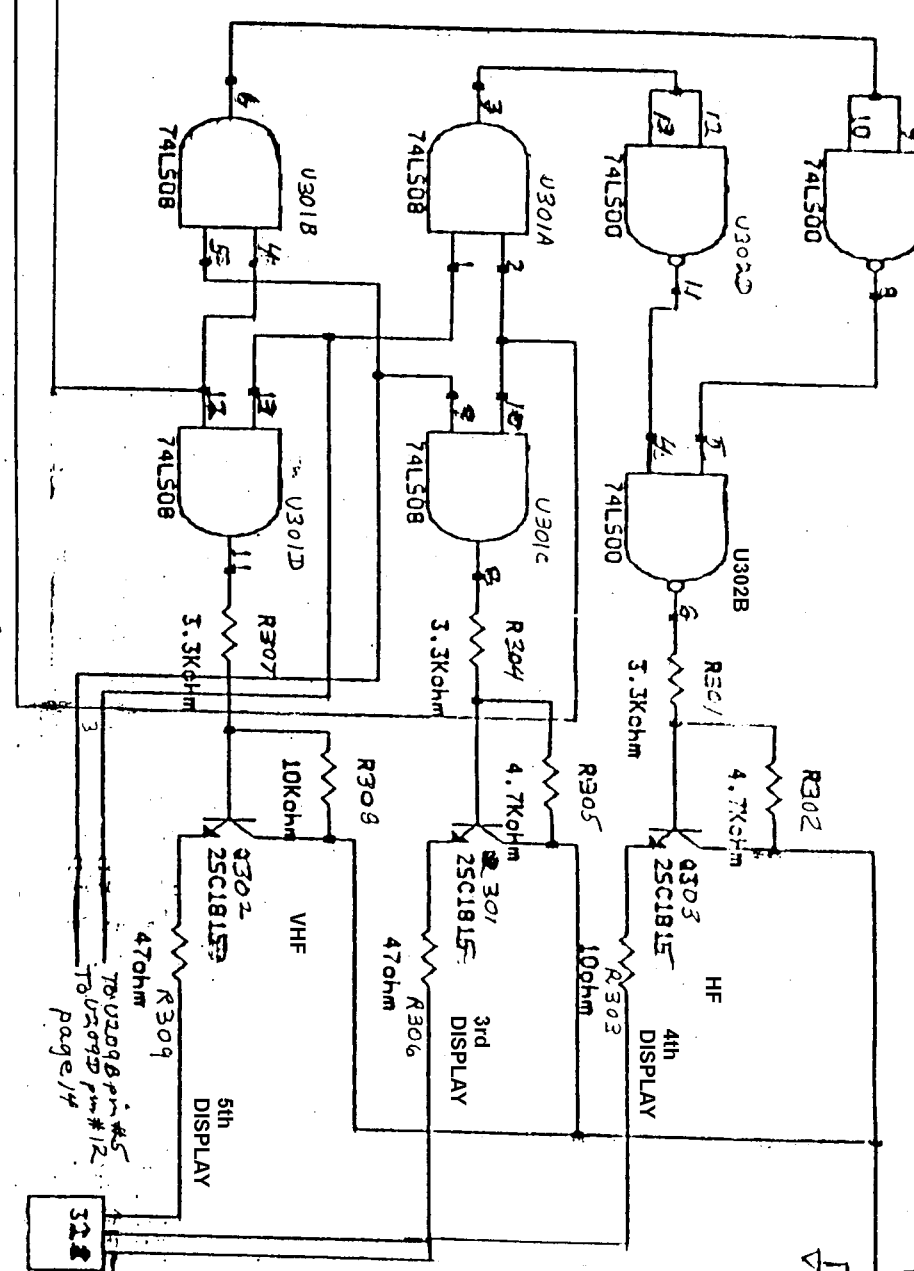
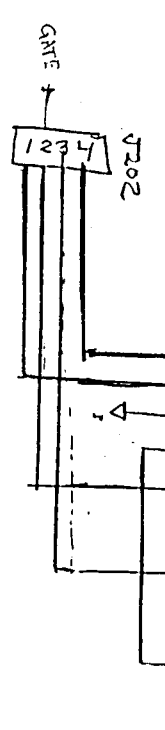
To P2 page 12 FROM SIGNAL GEN
RFOUT/IN SW301A

HF
To P101 page 13
SW301B
ACT/VH/HE SWITCH

SW301C
INT
VHF
HF

51
From Signal Gen
COUNT IN
To P1 Page 12

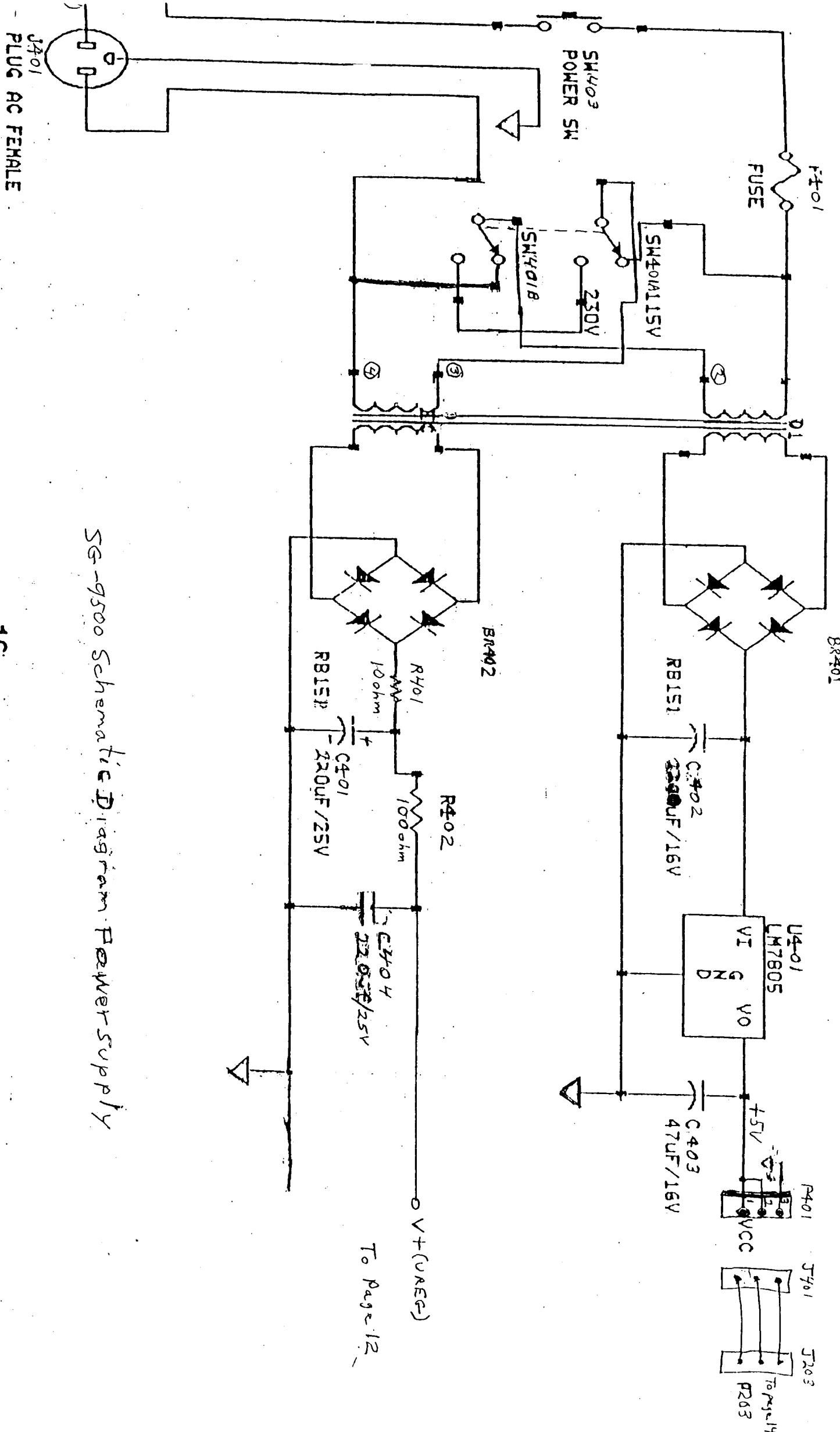
To P202
page 14



To Decimal Points
To Page 14
FKAT CABLE (18 wires)

VCC (+5V)
To Page 14

SG-9500 Schematic Diagram Frequency Counter



SG-9500 Schematic Diagram Power Supply

To Page 12

To Page 14