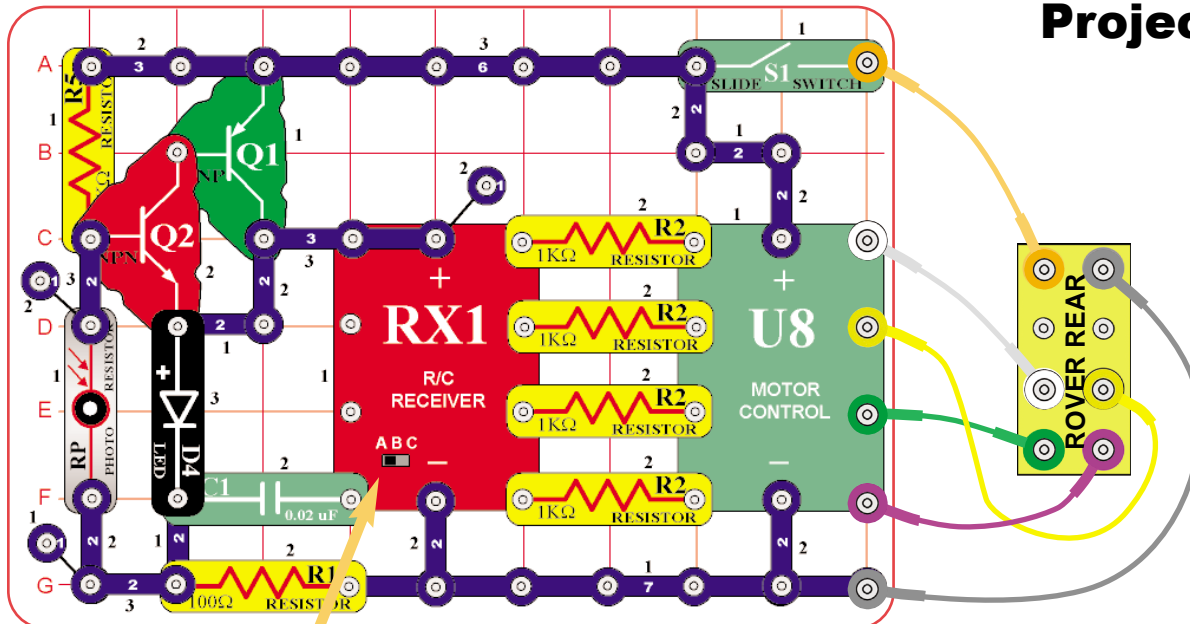


BONUS CIRCUITS FOR SNAP CIRCUITS OWNERS

If you own Snap Circuits model SC-300, SC-500, or SC-750 (with 300+ experiments), then you may also build these circuits. Website www.snapcircuits.net has additional circuits. DO NOT use parts from other Snap Circuits kits with Snap Rover except in our approved circuits - Snap Rover uses higher voltage which could damage those parts.

Project #R1 Dark Room Rover

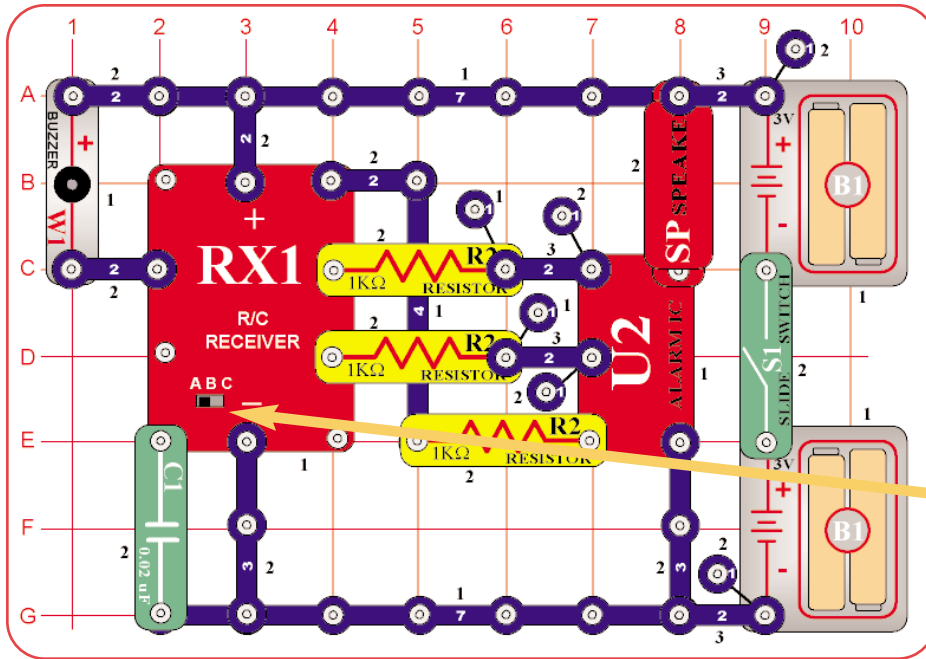


If the room is dark then you can use the remote control levers to drive Rover around. If the LED (D4) is on then the room is dark enough to activate Rover. You can also cover the photoresistor (RP) to simulate a dark room.

The photoresistor measures the light in the room, and controls the current through the transistors (Q1 and Q2). The transistors control power to the LED and R/C receiver (RX1).

Requires SC-300 or larger parts set.



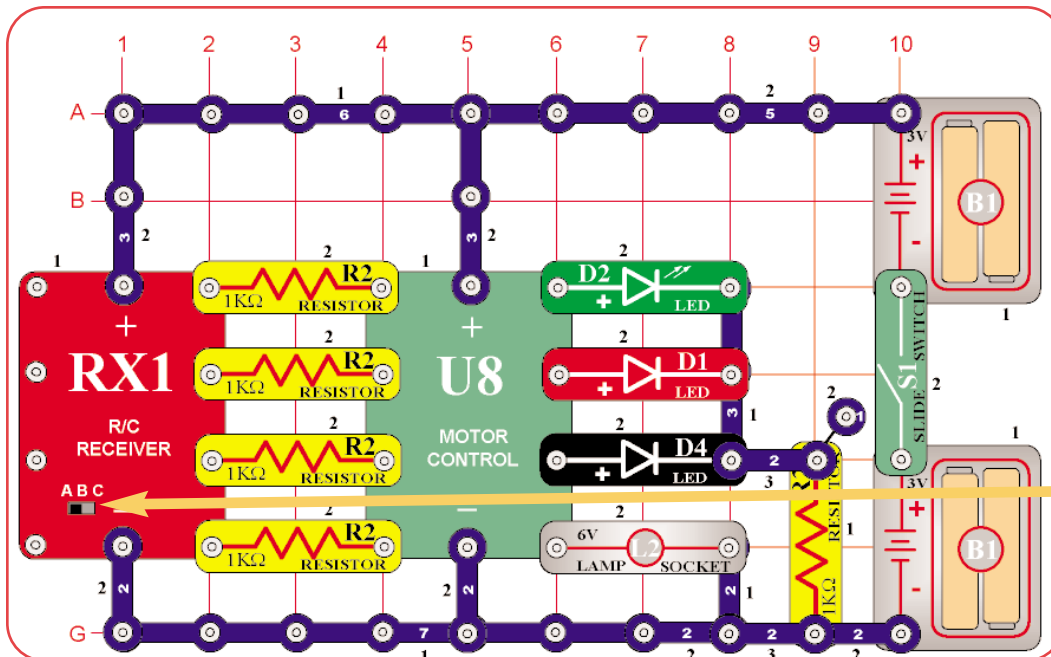
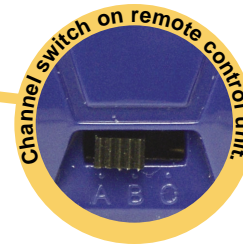


Project #R2 Four Alarm R/C

Set the channel switches on the remote control unit and R/C Receiver to the same setting (A, B, or C). Turn on the slide switch (S1) and the remote control unit. You can activate four alarm sounds by remote control.

Push the right remote control lever forward to hear one alarm, then also push the left control lever forward or backward to hear two other alarms, or press the right button to hear a fourth alarm.

Requires SC-300 or larger parts set.

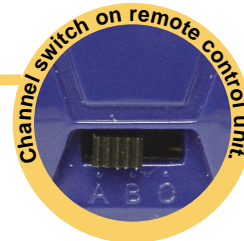


Project #R3 Four Lights

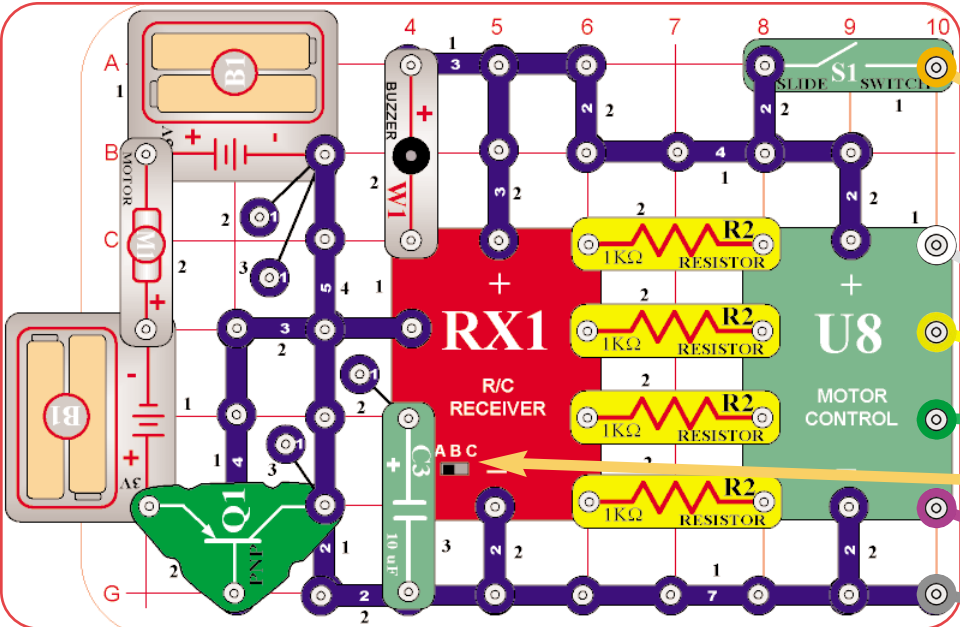
Set the channel switches on the remote control unit and R/C Receiver to the same setting (A, B, or C). Turn on the slide switch (S1) and the remote control unit.

Push the remote control levers forward or backward to activate four lights (lamp L2 and LEDs D1, D2, and D4).

Requires SC-300 or larger parts set.



Project #R4 Mobile Fan Launcher

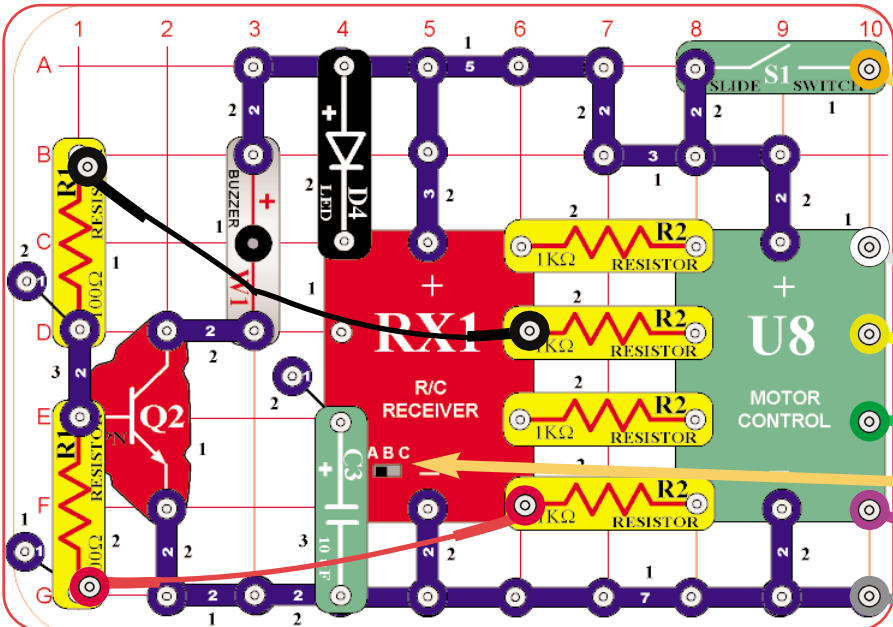


Place the fan on the motor (M1). Use the remote control levers to drive Rover around. The remote control buttons activate a fan and sound. If the fan is at full speed when you release the button, it will rise and float in the air.

Requires SC-300 or larger parts set.

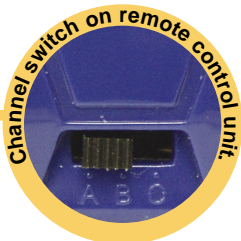


Project #R5 Backup Indicator

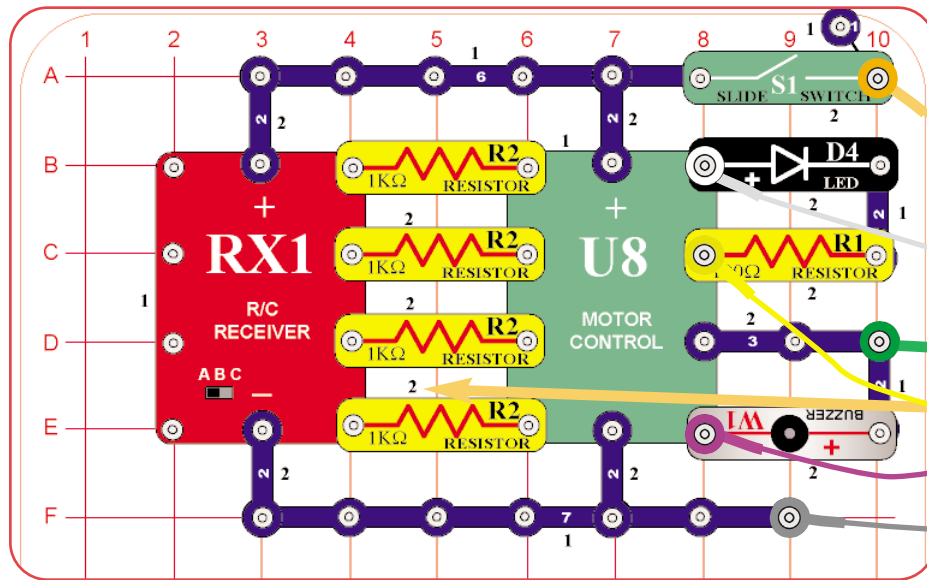


Use the remote control levers to drive Rover around. Whenever Rover backs up an alarm will sound.

Requires SC-300 or larger parts set.



Project #R6 Backup Indicator 2



Use the remote control levers to drive Rover around. Whenever the right wheels back up an alarm will sound, whenever the left wheels back up a light will shine.

No additional parts required.

