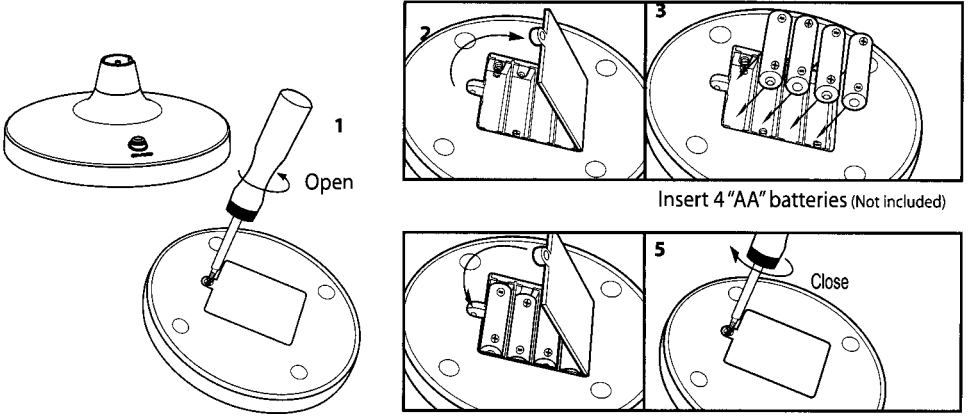


# Instructions for user

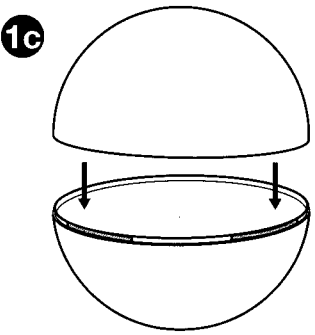
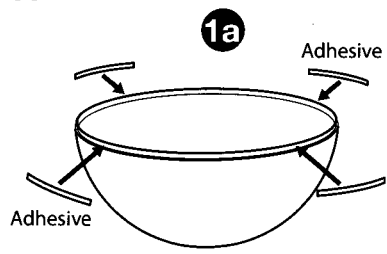


# Battery Installation:

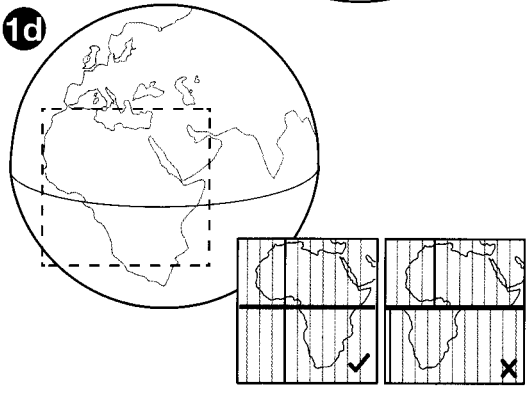


# Assembly Method:

## Part 1

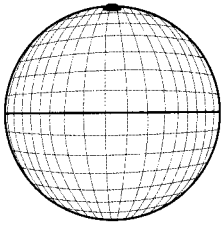


Match the longitude line and continents then snap together

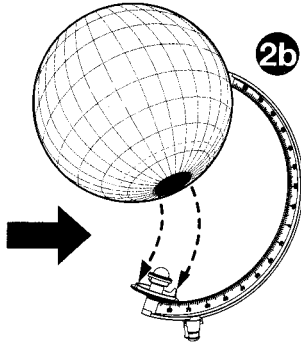


## Part 2

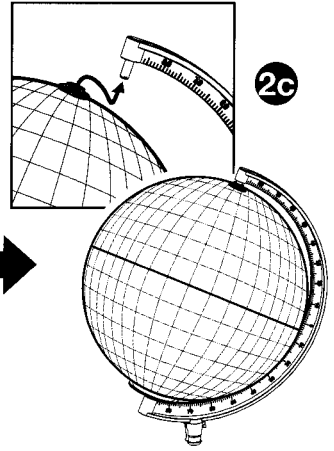
2a



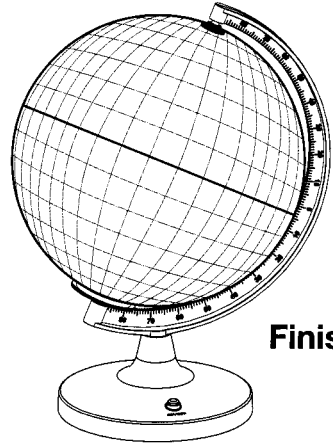
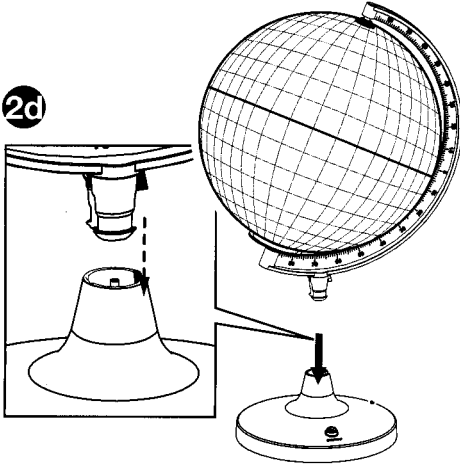
2b



2c

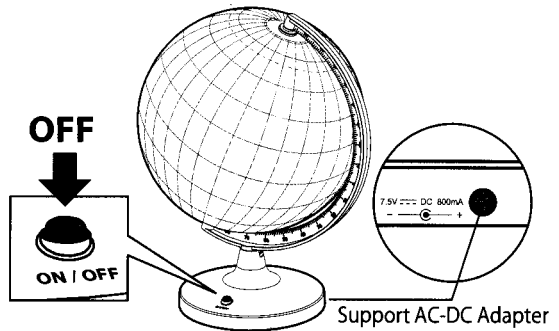
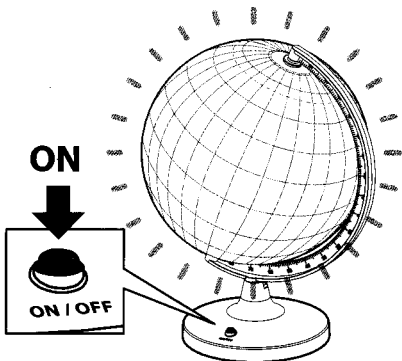


2d



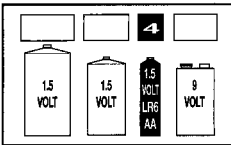
Finish

## How to Operate:

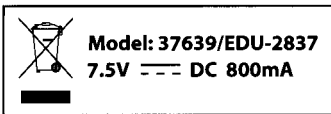


## Safety Electrical Operation:

- Not for children under 14 years old. Adult supervision required.
- For indoor use only.
- Unplug the AC-DC adapter from the electrical outlet if it is not going to be used for a long period of time.
- Do not contact directly the hot surface during operation, like the surface of LED. Make sure the temperature is lowered, otherwise it may cause a risk of scald.
- The parts can not be disassembled randomly during the sets operation.
- Disconnect power supply before cleaning. Clean with a damp sponge or cloth - do not submerge the item into water.
- The product must only be used with the recommended AC-DC adapter.
- AC-DC adapter is to be regularly examined for damage to the cord, plug, enclosure and other parts. In the event of such damage, the product must not be used with this AC-DC adapter until the damage has been repaired.
- This product must not be used if there is any damage to the power cord, plug and other parts of the AC-DC adapter.
- As with all electrical products, precautions should be observed during handling and use to prevent electric shock.



Requires 4 x AA 1.5 Volt batteries  
Batteries not included.



If you have any questions please DO NOT RETURN TO STORE.  
Contact Elenco Electronics, 150W Carpenter Ave, Wheeling IL 60090 USA,  
tel: 800-533-2441, email: support@elenco.com.

Made in China

P38-G2843-81041000