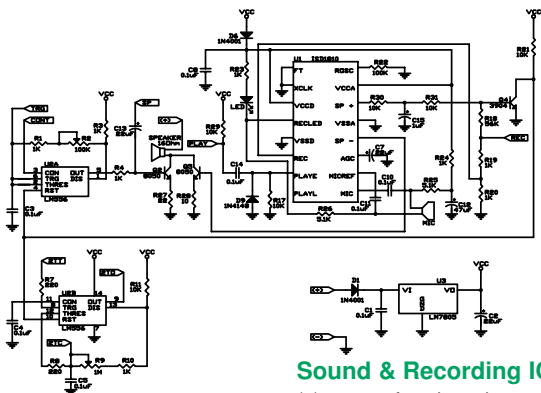
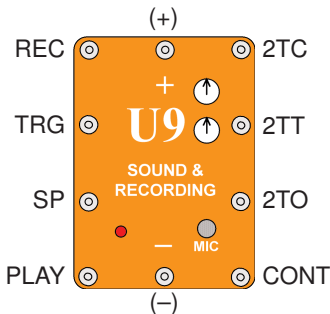


Sound & Recording IC

The **Sound & Recording IC** module (only in SCROV-50 Deluxe Snap Rover) contains an integrated recording circuit, a dual timer integrated circuit for making audio tones, microphone, speaker, filtering circuitry, and other supporting components including 24 resistors (2 are adjustable), 13 capacitors, 3 transistors and 4 diodes. Its schematic looks like this:



Its Snap Circuits connections are like this:



Sound & Recording IC:

- (+) - power from batteries
 - (-) - power return to batteries
 - REC - recording control
 - TRG - main tone activation/disable
 - SP - external speaker control
 - PLAY - play recording
 - 2TC - modulating tone control
 - 2TT - modulating tone activation/disable
 - 2TO - modulating tone output
 - CONT - main tone control
- Knobs: upper controls modulating tone
lower controls main tone frequency
- Red light: this is a recording indicator